

3D VIEW - 1

LESS THAN 30 DAYS OUT

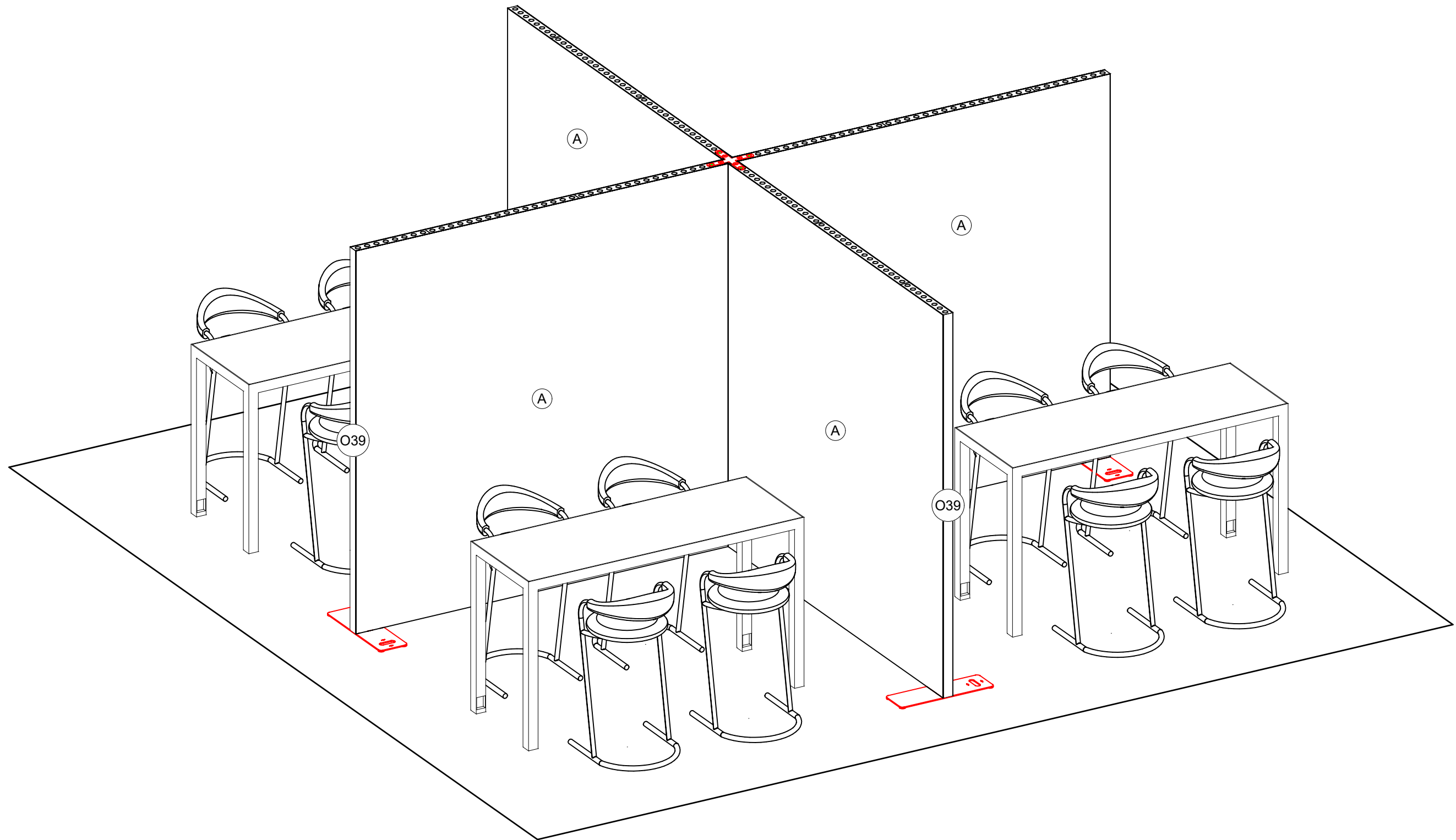


* 0 0 5 2 9 4 9 0 1 - 1 0 2 8 - 0 *

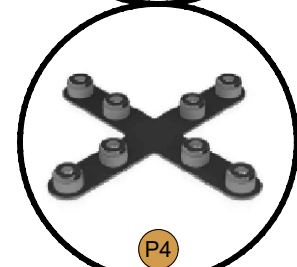
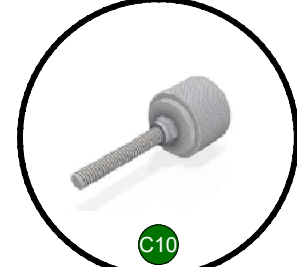
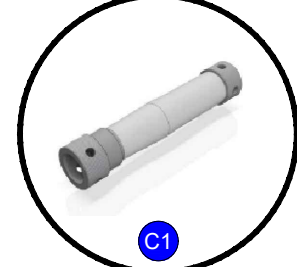
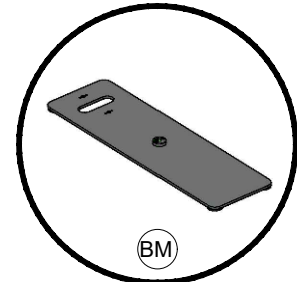
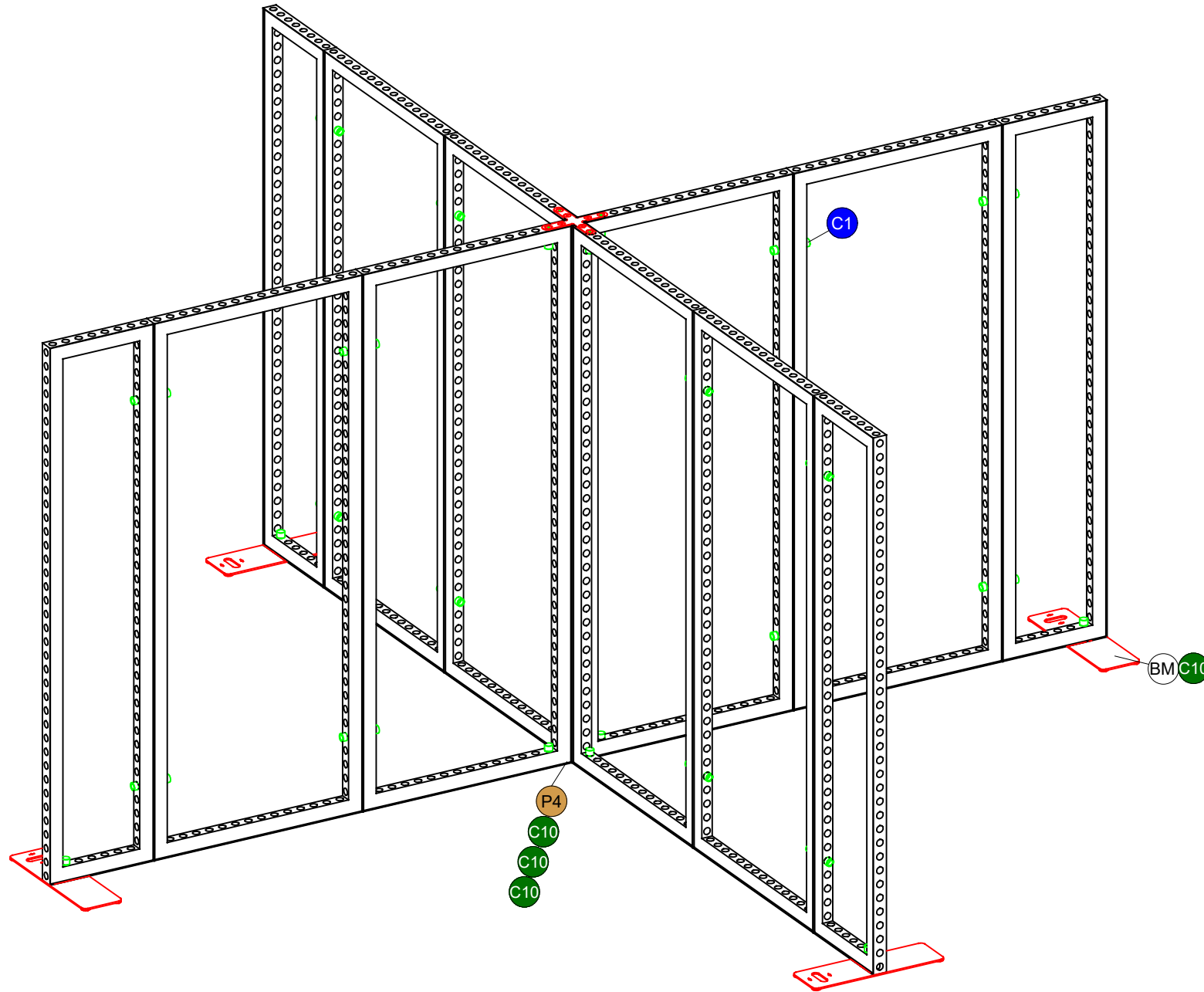
MORE THAN 30 DAYS OUT



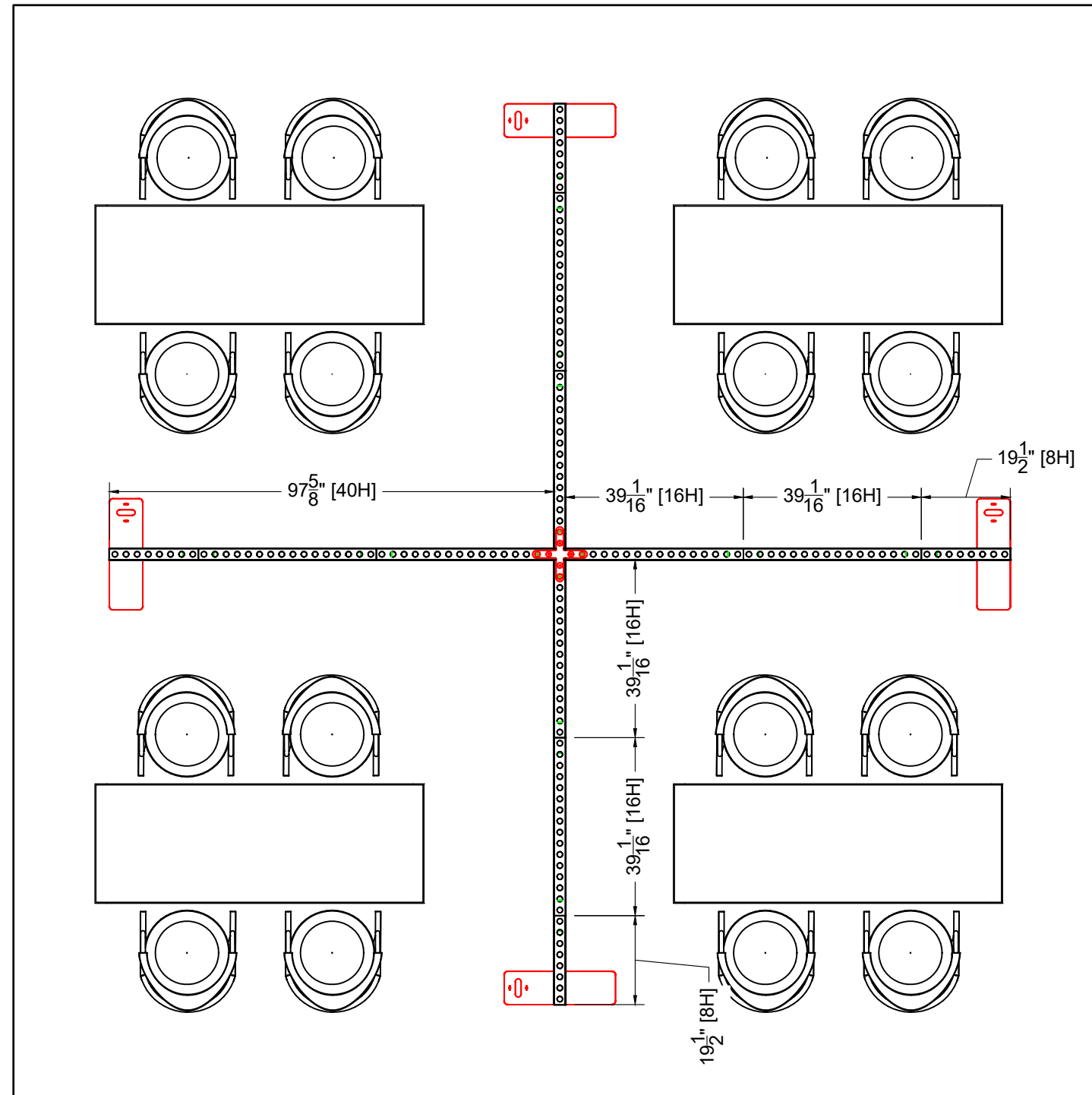
* 0 0 5 2 9 4 9 0 1 - 1 0 2 8 - 1 *



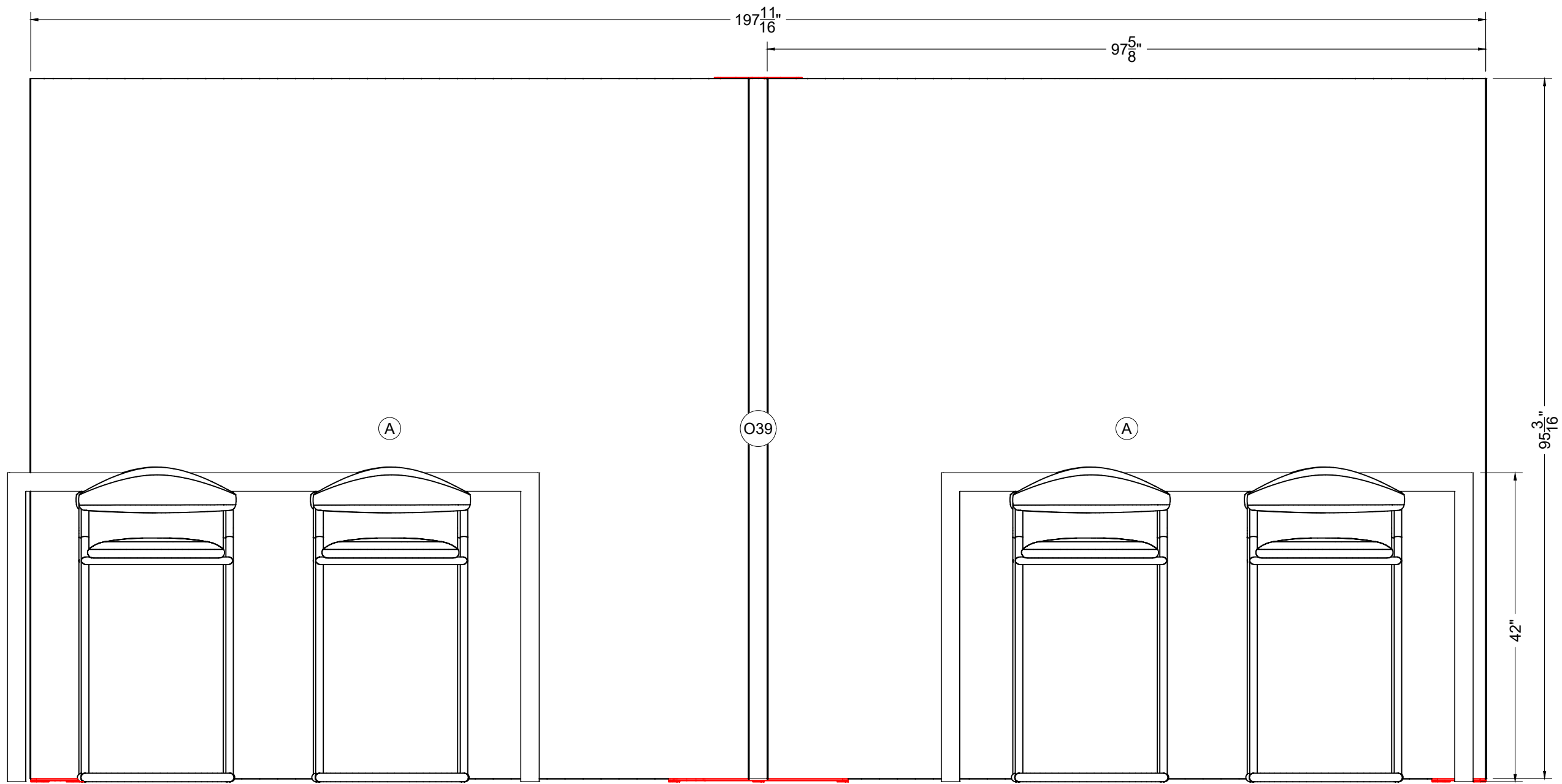
3D VIEW - 2



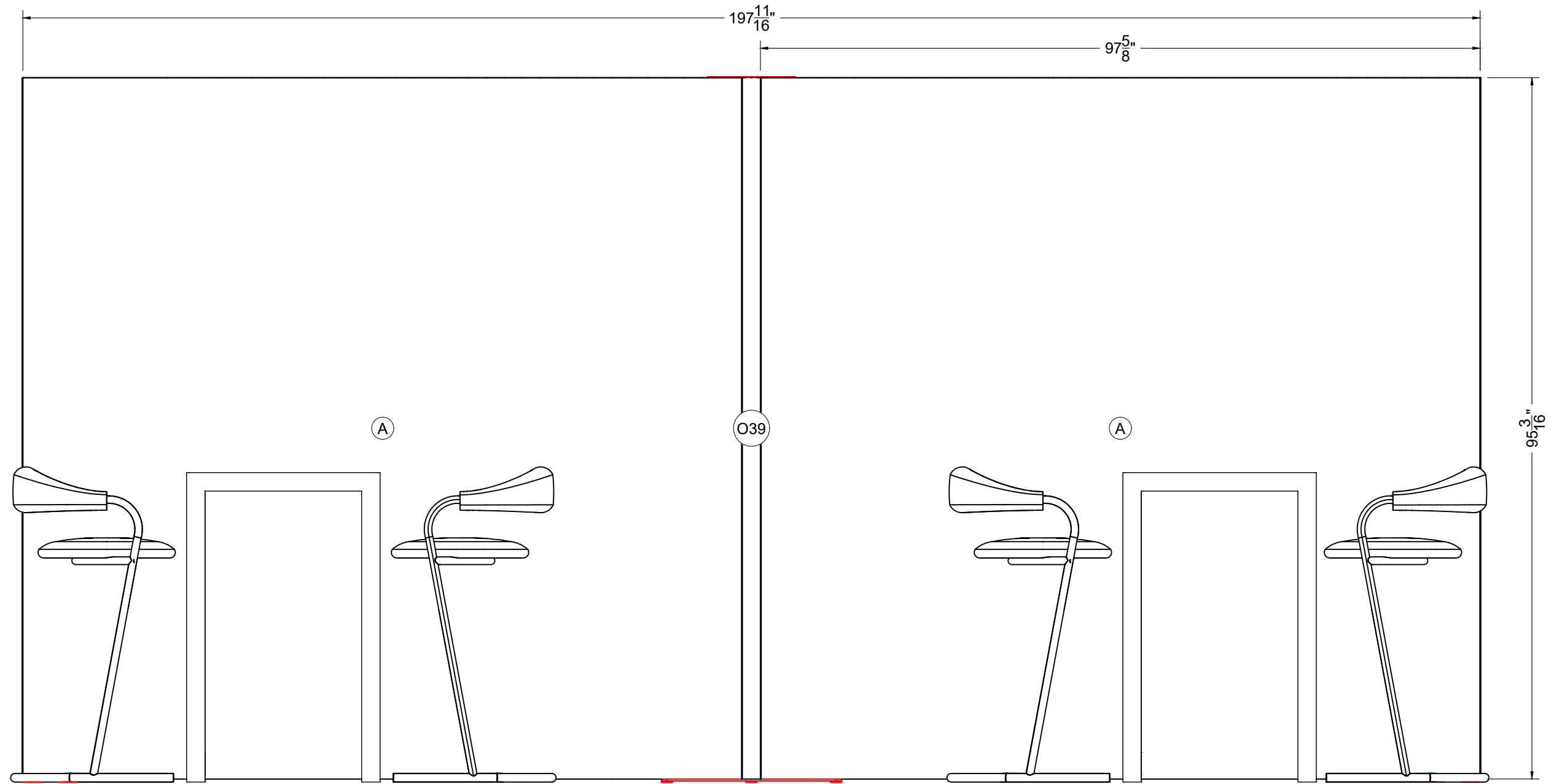
STRUCTURE VIEW



PLAN VIEW
Scale: 3/8" = 1'-0"



FRONT ELEVATION
Scale: 3/4" = 1'-0"



SIDE ELEVATION
Scale: 3/4" = 1'-0"

PARTS LIST

I.D.	Qty	Type	Size	Area (SqFt)	Part Number	Description	Material	Color	Notes	Low Inv.	Weight
	4	FLEX Frame-Straight	19-1/2" x 95-3/16" (19.5" x 95.2")		60400028	Straight Frame 08 Hole x 39 Hole	Aluminum	Silver	SF08390001		61.72
	8	FLEX Frame-Straight	39-1/16" x 95-3/16" (39.062" x 95.188")		60400043	Straight Frame 16 Hole x 39 Hole	Aluminum	Silver	SF16390001		144.48
BM	4	FLEX Acc-Base Plate	7-5/16" x 24-7/16" x 0-7/16"		60440082	BASE PLATE MEDIUM	Steel	Silver			50.24
P4	2	FLEX Acc-Pin Plate	Standard		60440070	8 PIN X CONNECTOR BASE	Steel	Chrome	CO901280385C		2.60
C1	16	FLEX Part-Connector	Standard		60440043	MANUAL CLAMP CONNECTOR	Aluminum	Silver	CO90120250132POM		5.92
C10	12	FLEX Part-Connector	Standard		60440047	MANUAL M8 PIN CONNECTOR	Aluminum	Silver	CO90120480066MKII		2.64
A	8	Flex Fabric	97-5/8" x 95-3/16" (97.625" x 95.188")	64.5	<<CUSTOM>>	97-5/8" x 95-3/16" FLEX Fabric	Fabric	White			
O39	4	Overlay Panel	2-7/16" x 95-3/16"	1.6	<<CUSTOM>>	Cover Profile 39 Hole	PVC 3MM	White			
	1	Carpet	20' x 20'	400.0	<<CUSTOM>>	20' x 20' Carpet	Carpet	--			
	16	Barstool	21" x 22" x 30"		<<CUSTOM>>	Banana Barstool, White	Vinyl	White			
				Total Area:	466.10					Total Weight:	267.60

LESS THAN 30 DAYS OUT



* 0 0 5 2 9 4 9 0 1 . 1 0 2 8 . 0 *

MORE THAN 30 DAYS OUT



* 0 0 5 2 9 4 9 0 1 . 1 0 2 8 . 1 *



Business Development Mgr:

Scot Sweazy

Client Solutions Mgr:

Scot Sweazy

Detailer:

Maria Dmytrow/Nanci Askew

Last Saved:

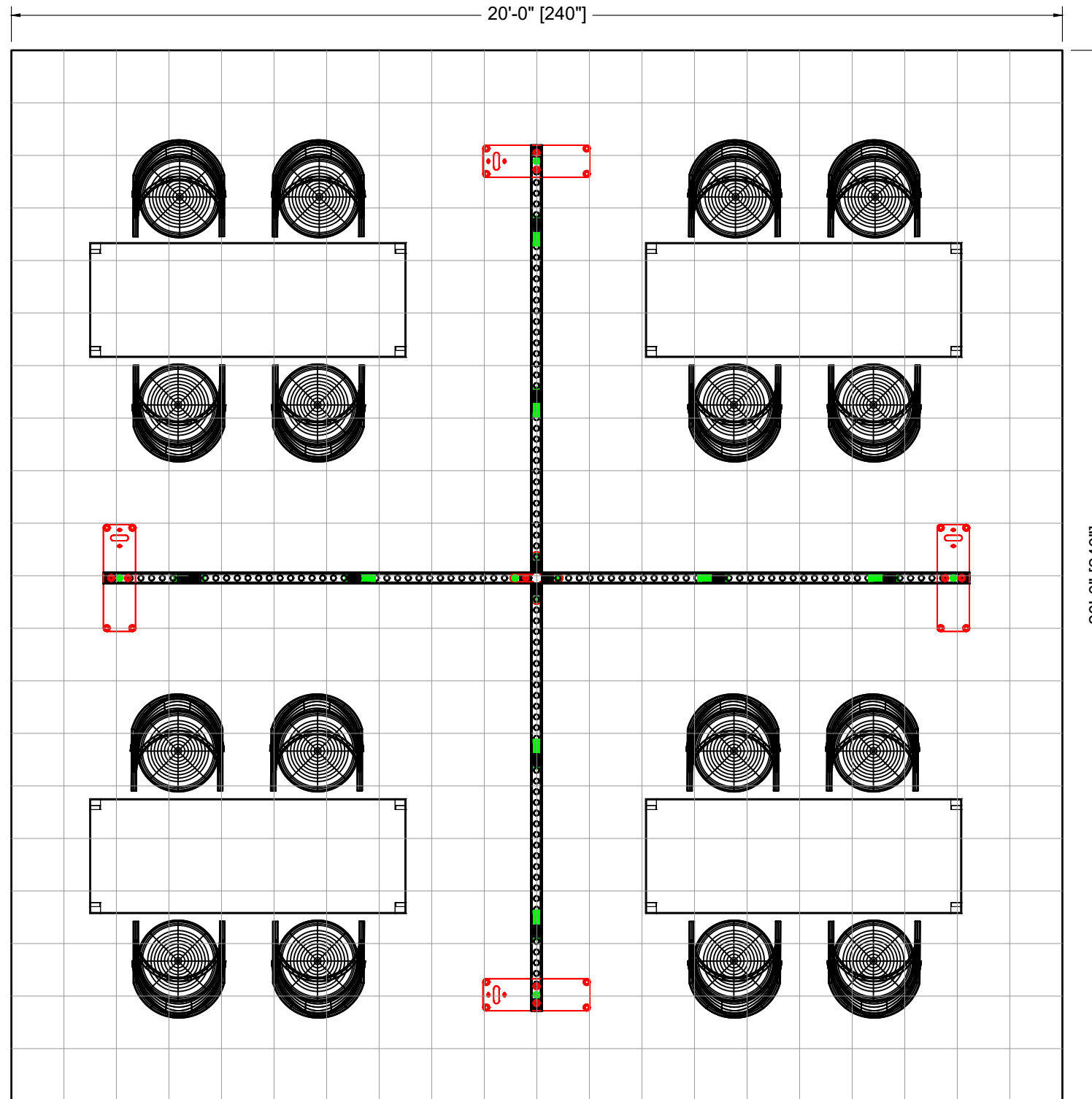
2/21/2024 1:15 PM

Revision:

A

These original concepts and designs are sole property of FREEMAN. Any reproduction or use is prohibited without written consent of FREEMAN. © Copyright 2024 FREEMAN

Vault File Name: CMW24 START UP PODS L11822373 DET.dwg



ELECTRICAL LAYOUT
Grid Spacing: 1'-0"
Scale: 3/8" = 1'-0"

UTILITIES LEGEND

QTY	DESCRIPTION
--	(5A) - 120V, 5 Amp
--	(10A) - 120V, 10 Amp
--	▽ - INTERNET LINE